

**Kodak** Dental Systems

# Kodak 9000C 3D

Extraoral Imaging System

## 3-in-1 solution, exponential productivity

The Kodak 9000C system is the ideal and complete extraoral diagnostic tool, blending cutting edge "one-shot" cephalometric technology with high-quality panoramic imaging. High-performance, but also versatile, it can be upgraded with low-dose, localized 3D imaging for maximum 3-in-1 flexibility.

### The "one shot" difference

The Kodak 9000C system is the model orthodontic imaging system. Thanks to its state-of-the-art "one shot" technology, it yields all the benefits of film acquisition with digital user-friendliness. "One shot" optimizes your images, most notably by eradicating the distortions common to other cephalometric technologies.

### Smaller footprint, still greater efficiency

The unit's footprint has decreased while the number of image formats has increased. The Kodak 9000C system generates lateral, frontal and submento-vertex images with constant reproducibility. Acquisition lasts less than a second, diminishing exposure time and the risk of retakes due to patient movement.

### Exclusive range of image formats

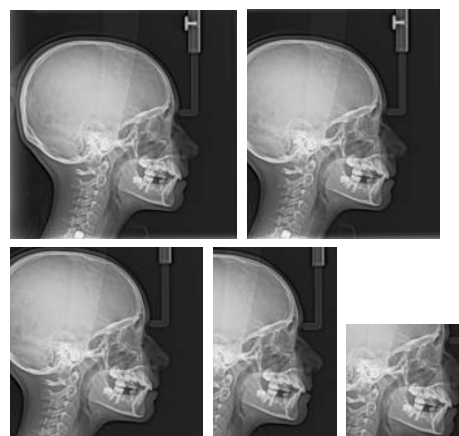
Thanks to its motorized collimator, the Kodak 9000C system is the only unit on the market to offer as broad a range of cephalometric formats. It suits any orthodontic tracing need, from our exclusive full skull (30 x 30 cm), to standard (18 x 24 cm) and small field for lower dose exposures.



### Kodak 9000C system features:

- "One shot" cephalometric imaging
- Multiple cephalometric formats
- One built-in sensor per application
- Upgradeable with localized 3D imaging
- Adjustable focal trough in panoramic mode
- Fully digital and motorized

30 x 30 cm  
24 x 30 cm  
24 x 24 cm  
18 x 24 cm  
18 x 18 cm



## Simple sophistication for enhanced efficiency

### Software that makes a difference

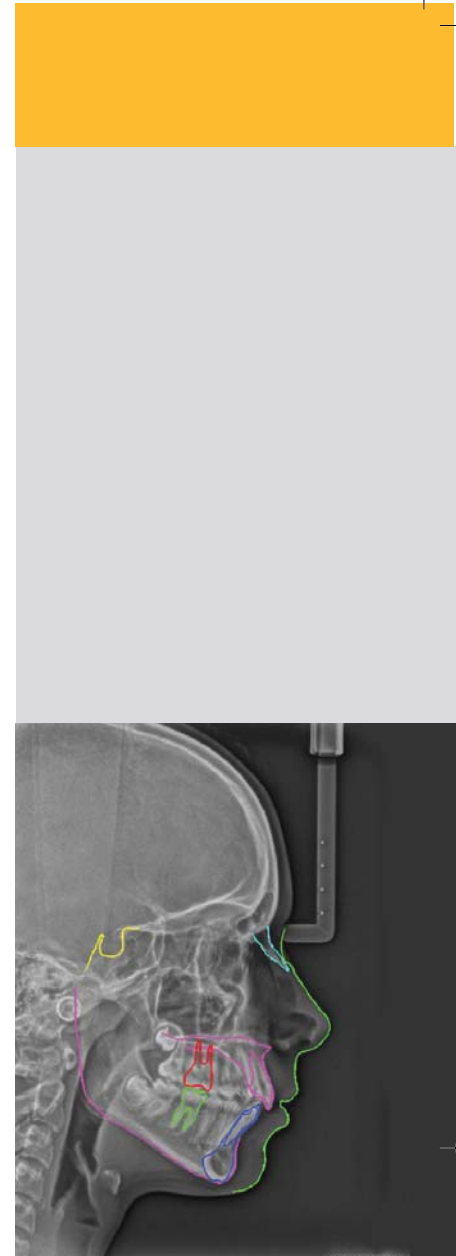
Uniquely simple and powerful software operates the unit to enhance the imaging experience and save time. Orthodontic pre-set filters improve image clarity with one click, an automatic filter outlines soft tissue, and exclusive automatic landmark recognition offers instant identification of landmarks so tracing is easier and faster.

### Extended and extensive panoramic functions

Fully motorized with an adjustable focal trough, the Kodak 9000C system can overcome most positioning challenges tied to patient morphology (e.g. young age, large dental arches). The unit adapts to the patient to provide high quality panoramic images with optimised contrasts and complete structural visibility.

### Conceived for ease of use

Multiple sensor configuration, one for each application (panoramic, cephalometric, 3D), means no manipulation of delicate and expensive parts by you or your staff. Meanwhile, a simple and straightforward design makes mastering the unit a cinch.



#### TECHNICAL SPECIFICATIONS

##### X-ray tubehead

High-frequency 140 kHz - 60-90 kV - 2-15 mA

##### Input voltage

230-240 V - 50/60 Hz or 100-110-130V - 50/60 Hz

##### Tube focal spot

0.5 mm (IEC 336)

##### Total filtration

> 2.5 mm eq. Al

##### Panoramic images

Adult / Child panoramic, sinus, Lateral TMJ (2 and 4 views), segmented panoramic

##### Cephalometric images

Half and full lateral (18x18 cm, 18x24 cm, 24x24 cm, 24x30 cm, 30x30 cm), frontal (AP/PA), oblique, submento-vertex, carpus

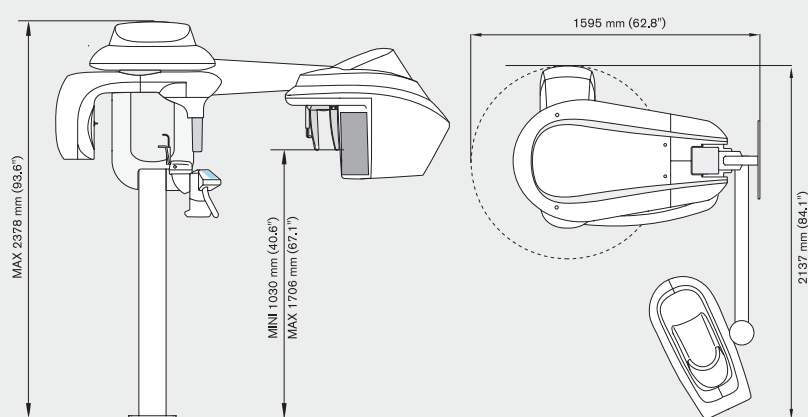
##### Cephalometric exposure times

0,1 - 3,2 seconds

##### Magnification

Panoramic: x1,27 / Cephalometric: x 1,14

#### Unit dimensions



#### Minimum required space

Width x depth: 2230 mm (88") x 2000 mm (79")



Carestream Health

© Carestream Health, Inc., 2008.  
The Kodak trademark and trade dress are used under license from Kodak.

FOR MORE INFORMATION, CALL  
00800 4567 7654 (Western Europe)  
+49 1805 274 010 (Eastern Europe, other countries)  
OR VISIT [www.kodakdental.com](http://www.kodakdental.com)

06/2008